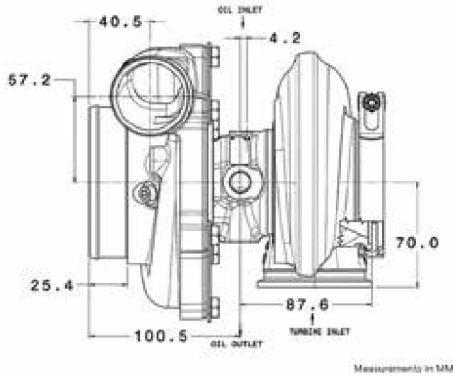


GTX3076R GEN II NEW PRODUCT

Honeywell

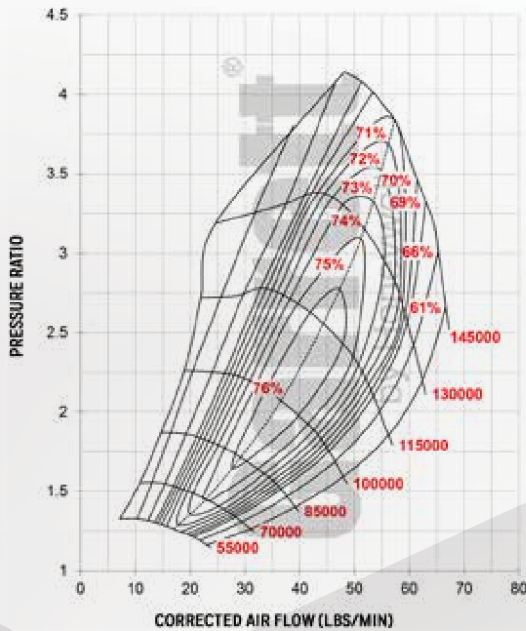
Horsepower: 400 - 750
Displacement: 1.8L - 3.0L



Measurements in MM



COMPRESSOR MAP

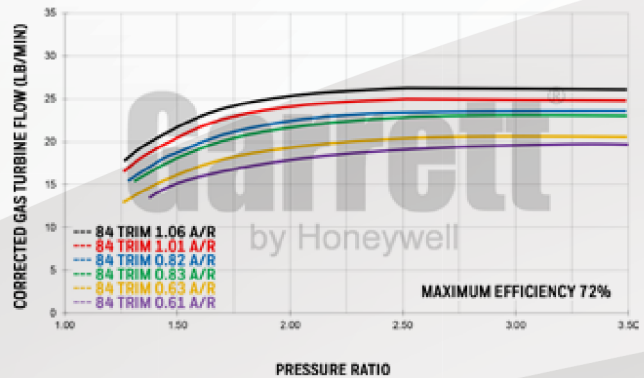


FEATURES:

- ◆ GEN 2 AERODYNAMICS FEATURE INCREASED HORSEPOWER RANGE
- ◆ NEW FULLY MACHINED SPEED SENSOR PORT. DETAILS ON PG. 56
- ◆ WASTEGATE ACTUATORS & BRACKET KIT AVAILABLE ON PG. 56
- ◆ SOLD AS ASSEMBLY KITS (SUPER CORE + TURBINE KIT)
- ◆ NEW REVERSE ROTATION OPTIONS AVAILABLE

*WASTEGATED TURBINE BOLTS & CLAMPS SEE PG. 60

EXHAUST FLOW CHART



Super Core Reference Data		Compressor				Turbine		
		Inducer	Exducer	Trim	A/R	Inducer	Exducer	Trim
GTX3076R Standard Rotation		58mm	76mm	58	0.60	60mm	55mm	84
GTX3076R Reverse Rotation		58mm	76mm	58	0.60	60mm	55mm	84
Notes:	Assembly Kit PN	Super Core PN	Turbine Kit PN	A/R	Inlet	Outlet	Wastegate	Divided
Assembly Kit PN Includes Super Core and Turbine Kit	856801-5027S	851154-5001S	740902-0009	0.63	T3	V-Band	Free Float	N
	856801-5026S	851154-5001S	740902-0008	0.82	T3	V-Band	Free Float	N
	856801-5025S	851154-5001S	740902-0007	1.06	T3	V-Band	Free Float	N
	856801-5039S	851154-5001S	740902-0036	0.61	V-Band	V-Band	Free Float	N
	856801-5038S	851154-5001S	740902-0035	0.83	V-Band	V-Band	Free Float	N
	856801-5037S	851154-5001S	740902-0034	1.01	V-Band	V-Band	Free Float	N
Wastegated Turbine Assembly does not include bolts, clamps, or actuator	856801-5042S	851154-5001S	771300-0006	0.63	T3	5 bolt	Wastegated	N
	856801-5041S	851154-5001S	771300-0005	0.82	T3	5 bolt	Wastegated	N
	856801-5040S	851154-5001S	771300-0004	1.06	T3	5 bolt	Wastegated	N
Reverse Rotation Configuration	Assembly Kit PN	Super Core PN	Turbine Asbly PN	A/R	Inlet	Outlet	Wastegate	Divided
Reverse Rotation Configuration	856802-5004S	844621-5004S	740902-0053	0.61	V-Band	V-Band	Free Float	N
	856802-5005S	844621-5004S	740902-0054	0.83	V-Band	V-Band	Free Float	N
	856802-5006S	844621-5004S	740902-0055	1.01	V-Band	V-Band	Free Float	N

Garrett
by Honeywell